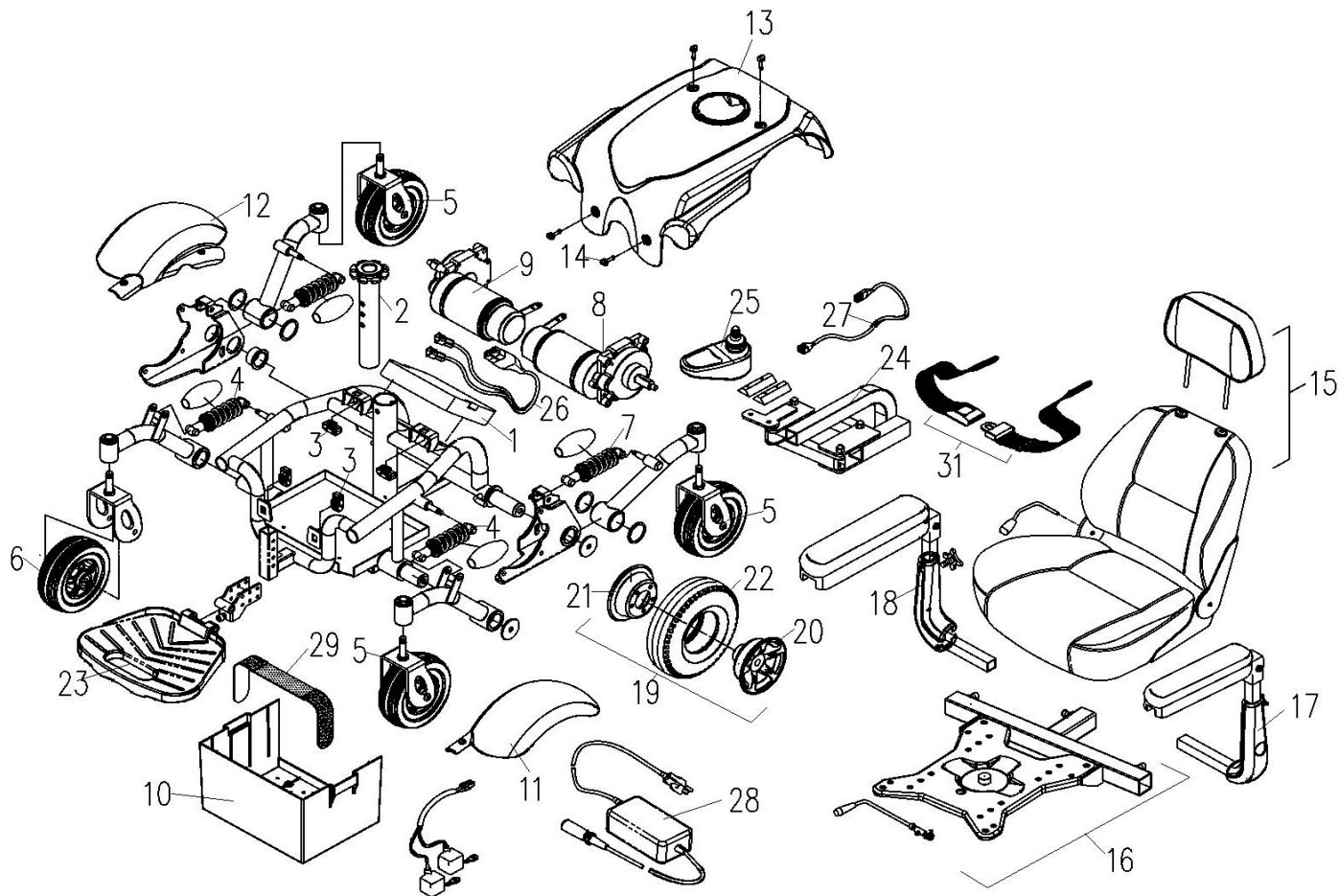


MODEL#P326A-SW

Rev: 0



REF#	PART NO.	DESCRIPTION	REF#	PART NO.	DESCRIPTION	REF#	PART NO.	DESCRIPTION
1	64210010	CONTROLLER ONLY, SHARK, DK-PMB40	12	30510894	FENDER, CANDY APPLE RED, RH	23	42500157	FOOTREST PLATE
2	30201081	SEAT POST ONLY, POM, 223MML, 3 HOLES	13	30500108	MAIN SHROUD ASS'Y , BLACK, P326A	24	34103086	MOUNTING BASE ASS'Y FOR CONTROLLER WELDMENT, RH.
3	43600540	CLIP, SNAP-IN POM φ6.3*25.4L	14	43600568	PLASTIC FASTEN BOLT, BLACK, 1/4", DIA 6.3*21.6L	25	64810013	JOYSTICK ONLY, DY SHARK, DK-REMD01
4	41700555	ABSORBER 145L 180LBS/IN, GRAY, P326A	15	32228013	CAPTAIN SEAT ONLY, WITH/ RECLINE & MC7/MC22 COLOR	26	63334601	WIRE, CONTROLLER, 440L, P326
5	33158009	CASTOR FORK ASS'Y., LH, 6"*2" PU WHEEL, GRAY	16	32100179	SEAT BASE ASS'Y	27	63300042	ELECTRONIC, HARNESS, DY FLIGHT BUS CABLE, 1.5M,
6	33000135	6"*2" PU WHEEL, LS-W246, GRAY	17	31000257	ARMREST ASS'Y LH.	28	63200012	CONNECTING WIRE, BATTERY (INCLUDING 40A FUES)
7	34200111	ABSORBER 140L 210 LBS/IN, GRAY	18	31000258	ARMREST ASS'Y RH.	29	43701080	REUSEABLE FASTENER, 2"* 660MML, BLACK
8	62012010	MOTOR M9M01 LEFT	19	32600467	DRIVE WHEEL ASSY, 3.00-4/PU	30	65000084	CHARGER, HP0180WB(5A)
9	62022010	MOTOR M9M01 RIGHT	20	42500156	FREEWHEEL ASS'Y., BLACK, 3.00-4	31	43700157	SAFETY BELT, 40" STD.
10	43600713	BATTERY PACK, BLACK, P326	21	41200535	STEEL CENTER, BLACK, 5 HOLES			
11	30510893	FENDER, CANDY APPLE RED, LH	22	43600004	TIRE, PU FOAM FILLED, 3.00-4 (260*85) C-248			