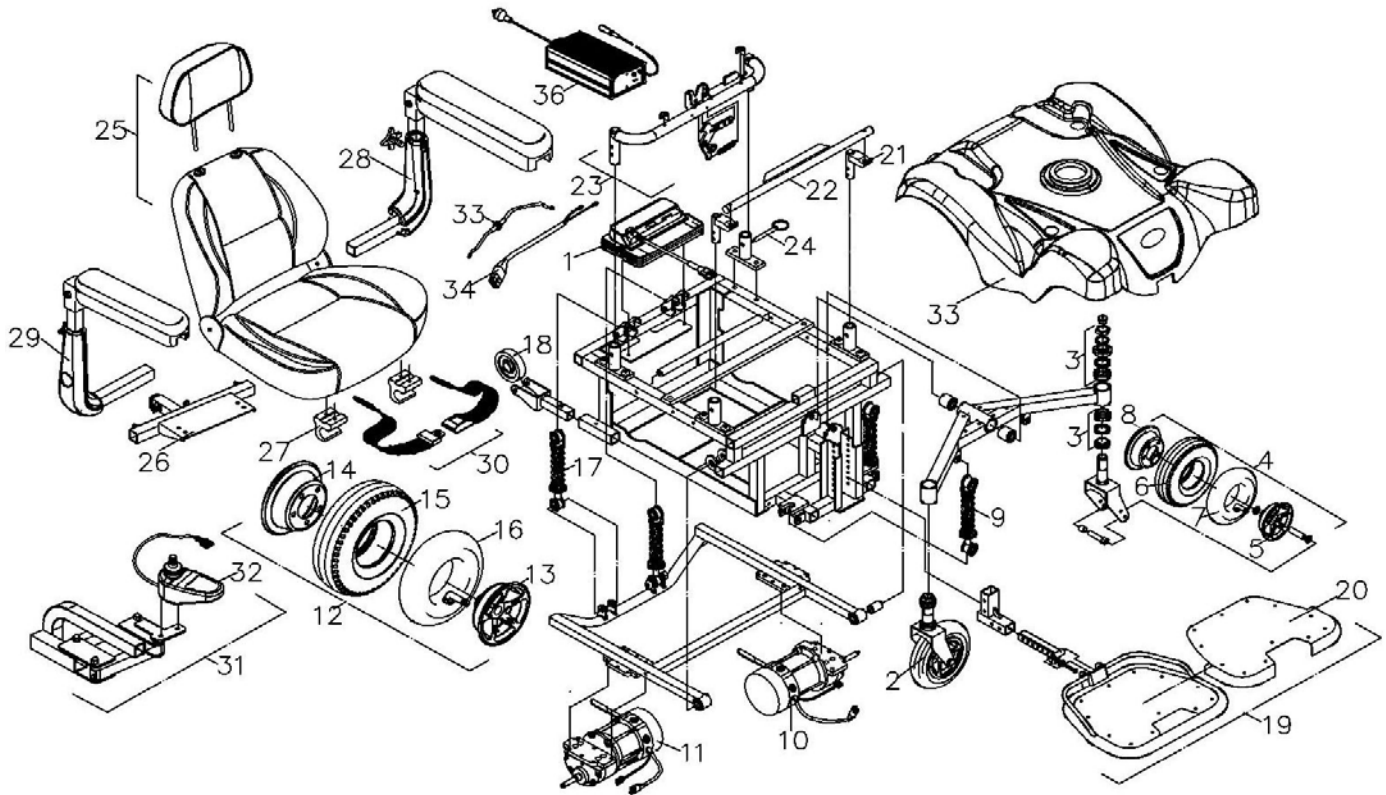


MODEL#P71024SW

Rev: 0



REF#	PART NO.	DESCRIPTION	REF#	PART NO.	DESCRIPTION	REF#	PART NO.	DESCRIPTION
1	64220016	CONTROLLER ONLY, nVR2 PM60 (D51426)	13	42500149	5" ALU. RIM, REAR WHEEL, BLACK 5 HOLE	25	32222132	SEAT ONLY, TWO-TONE, 24W*21D*23H, RECLINE
2	33100718	CASTER WHEEL ASS'Y. PT. 2.80/2.50-4, GRAY	14	41200536	STEEL CENTER, BLACK, 5 HOLES	26	32100079	SEAT MOUNTING ASS'Y., P710
3	53400024	BEARING SET OF THE BEARING HOUSE	15	44600141	TIRE ONLY 4.00-5, GRAY.	27	41300416	EXTRUSION, ALUMNUM, HOOK FOR SEAT
4	33100719	FRONT WHEEL ASS'Y., PNEUMATIC TIRE, 2.80/2.50-4, GRAY	16	44600092	INNER TUBE ONLY, 4.00-5	28	31000259	LEFT ARMREST ASSY. P710
5	42500150	4" ALU. RIM, FRONT WHEEL BLACK	17	41700101	REAR SHOCK ABSORBER 5KG/MM 10MM	29	31000286	ARMREST ASS'Y., RIGHT, EDGRAY, P710
6	44600121	TYRE ONLY, 2.80/2.50-4 NHS GRAY	18	44600069	3"WHEEL, ANTI-TIPPERHS310-1B	30	43700319	SEAT BELT 1725MM LOOP TYPE
7	44600125	2.80/2.50-4 NHS BLACK INNER TIRE (45° VALVE STEM)	19	33303080	FOOTPLATE ASS'Y.	31	33500318	JOYSTICK ASS'Y., NVR2-50
8	41200535	STEEL CENTER, BLACK, 5 HOLES	20	44600316	MAT, FOOTPLATE, NBR, BLACK	32	64220011	JOYSTICK ONLY, P&G NVR2, JSM(D51427)
9	41700132	SHOCK ABSORBER, RED, 155L	21	32103097	SEAT MOUNTING.	33	30510967	SHROUD ASS'Y., CANDY APPLE RED
10	62012002	MOTOR & GEARBOX ASS'Y., M9L01AB-1, LH	22	32103075	SEAT TOWER, HORIZONTAL, FRONT TRAPEZE BAR, ED.	34	63200037	INTER-BATTERY FUSED LINK 80A
11	62022002	MOTOR & GEARBOX ASS'Y., M9L01AB-1, RH	23	32100078	SEAT TOWER ASS'Y., HORIZONTAL, REAR TRAPEZE BAR	35	63232802	BATTERY CABLE, FOR VR2, 350L, P710
12	32600477	REAR WHEEL ASS'Y 12"PT, GRAY COLOR	24	54200011	HITCH-PIN 8MM OD, 40MML	36	33700462	CHARGER, 6A