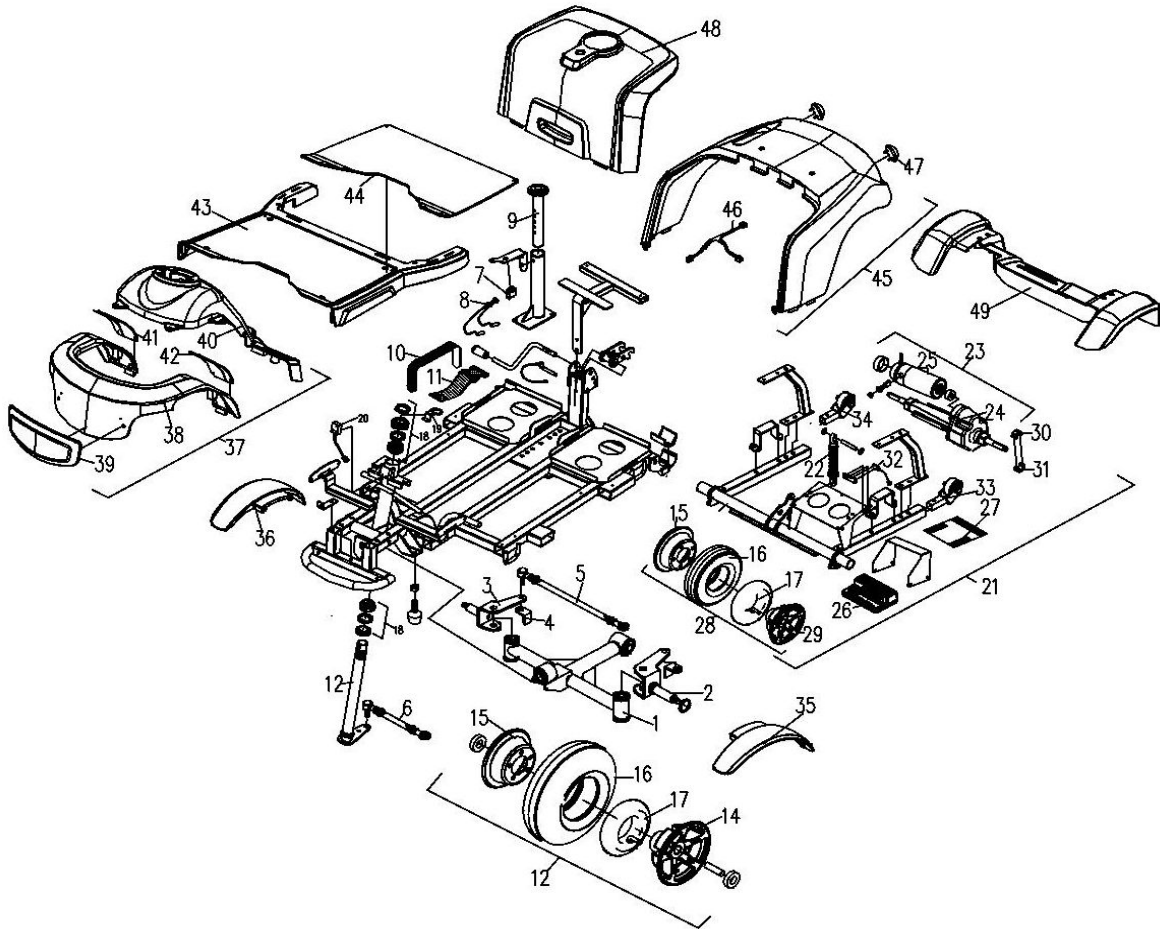
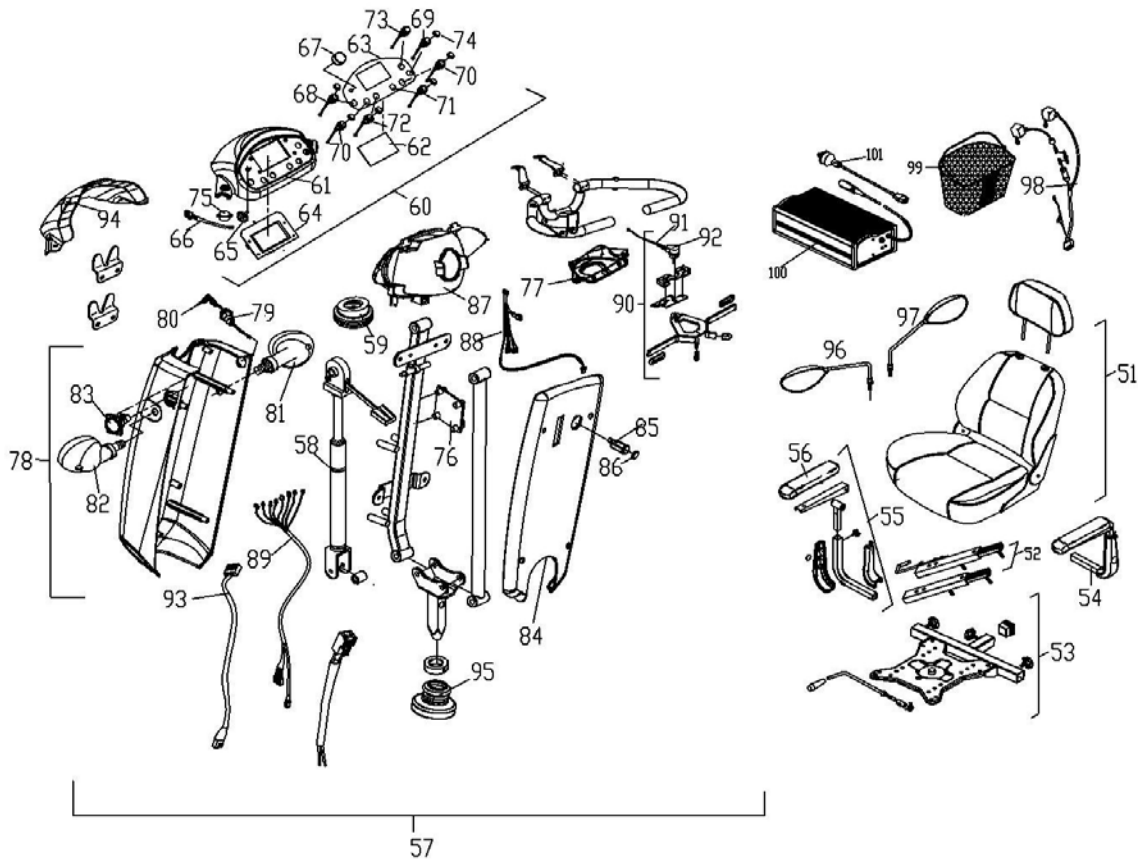


MODEL#S840C-SW



REF#	PART NO.	DESCRIPTION	REF#	PART NO.	DESCRIPTION	REF#	PART NO.	DESCRIPTION
1	30300679	STEERING MECH Ass'y.	19	41280324	LOCK WASHER	37	30541137	FRONT SHROUD ASS'Y., BRIGHT RED, S840A
2	30303007	FRONT WHEEL AXLE ONLY LEFT	20	63742002	SENSOR, HALF SPEED	37	30516185	FRONT SHROUD ASS'Y., OCEAN BLUE, S840A
3	30303022	FRONT WHEEL AXLE ONLY, RIGHT	21	30400438	Rear Frame Ass'y	38	30541138	FRONT SHROUD ONLY(FRONT), BRIGHT RED, S840A
4	41200191	STOPPER, SEAT BASE	22	41700102	SUSPENSION BLACK/130L(1500 LBS/IN)	38	30516186	FRONT SHROUD ONLY(FRONT), OCEAN BLUE, S840A
5	30302001	CONNECTING ROD ONLY, LONG φ10*350L	23	62009103	TRANSAXLE ASS'Y., M419Q1-24	39	30541100	DECORATIVE PLATE, BRIGHT RED
6	30302002	CONNECTING ROD ONLY, φ10*150L, SHORT	24	62201263	TRANSAXLE,M419(2P)	39	30516187	DECORATIVE PLATE, OCEAN BLUE
7	61120084	CIRCUIT BREAKER.	25	62109079	MOTOR SET, M4Q1-24	40	43690430	FRONT SHROUD ONLY(MID), GRAY BLACK, S840A
8	63700048	CIRCUIT CONNECT WIRE	26	64510007	CONTROLLER, DYNAMIC DS120 RHINO2	41	44689137	FRONT RUBBER MAT, BLACK, RH, S840A
9	32100029	UPPER SEAT POST ONLY	27	43780186	SHROUD, CONTROLLER, S840A	42	44689141	FRONT RUBBER MAT, BLACK, LH, S840A
10	43701080	REUSEABLE FASTENER, 2"* 660MML, BLACK	28	32600552	DRIVE WHEEL ASS'Y., 4.10-5 C-154 PT, BLACK	43	30500504	FRONT SHROUD ASS'Y.(REAR)
11	43700210	VELCRO TAPE, FEMALE 50.8W*300L	29	42500256	5" ALU. RIM, REAR WHEEL, BLACK 5 HOLES,SILVER	44	44689136	RUBBER MAT, BLACK, S840A
12	30303062	STEERING AXLE ASS'Y (ED)FOR S840	30	41300440	SENSOR BOND 1 W/MAG.	45	30541140	REAR SHROUD ASS'Y., BRIGHT RED, S840A
13	33100801	FRONT WHEEL ASS'Y.,290*85	31	41300441	SENSOR BOND 2	45	30516189	REAR SHROUD ASS'Y., OCEAN BLUE, S840A
14	42500255	FRONT WHEEL RIM(5"),W/O LOGO,5 HOLES,SILVER	32	61090063	SPRING SWITCH,PSS-23	46	63453024	CONNECTION WIRING FOR REAR LIGHTS
15	41200536	STEEL CENTER, BLACK, 5 HOLES	33	30403145	ANTI-TIPPER ASS'Y., LH	47	61200207	REAR LIGHTING ASSY.
16	44689066	TIRE ONLY,4.10-5(C-154) BLACK	34	30403147	ANTI-TIPPER ASS'Y.,RH	48	30500495	BATTERY COVER ASS'Y., S840A
17	44689133	INNER TYRE,4.10-5	35	43690241	FRONT FENDER (L)	49	43690433	FENDER COVER, S840A
18	53400023	BEARING ONLY, FORK 7 PCS/SET	36	43690242	FRONT FENDER (R)			



REF#	PART NO.	DESCRIPTION	REF#	PART NO.	DESCRIPTION	REF#	PART NO.	DESCRIPTION
51	32228013	CAPTAIN SEAT ONLY, WITH/ RECLINE & MC7/MC22 COLOR	68	33700309	LEFT DICTATOR LIGHT SWITCH SET,S150	85	61138003	CABLE, PLUG.
52	41700077	SLIDE MECH. ASS'Y., WITH RELEASE LEVER	69	33700310	RIGHT DICTATOR LIGHT SWITCH SET,S150	86	61230106	12V SOCKET COVER.
53	32100039	SEAT BASE WITH RELEASE LEVER ASS'Y	70	33700311	HORN SET,S150	87	61200148	HEAD LIGHT ASS'Y,NE1-24V/18W
54	31000342	ARMREST ASS'Y., LH	71	33700312	HEADLIGHT SWITCH,S150	88	63453023	FRONT LIGHT CABLE
55	31000343	ARMREST ASS'Y., RH	72	33700313	HAZARD LIGHT SET,S150	89	63180084	MAIN CABLE FOR TILLER, S840C
56	43700401	ARM PAD,BLACK	73	33700314	HALF SPEED SET,S150	90	33500110	THROTTLE LEVER ASS'Y.
57	33500606	TILLER ASS'Y, BRIGHT RED	74	44600401	WATER PROOF CAP	91	63500021	CONNECTING WIRE (POT)
57	33500607	TILLER ASS'Y, OCEAN BLUE	75	61170001	HORN, ARIO B24W29B	92	61020024	POTENTIOMETER, 576S0076
58	41300570	ELEVATING CYLINDER	76	61100069	POWER CONVERT BOARD	93	63742003	SENSOR, HALF SPEED
59	44689071	RUBBER BOOT, NBR	77	30541105	LOWER DASHBOARD ONLY, BRIGHT RED	94	30541108	COVER SHROUD, FOR DASHBOARD, BRIGHT RED
60	30541141	UPPER DASHBOARD ASS'Y., BRIGHT RED	77	30516085	LOWER DASHBOARD ONLY,OCEAN BLUE	94	30516192	COVER SHROUD, FOR DASHBOARD, OCEAN BLUE
60	30516190	UPPER DASHBOARD ASS'Y., OCEAN BLUE	78	30541104	FRONT DASHBOARD ASS'Y., BRIGHT RED	95	44600317	RUBBER BOOT, NBR, φ114*65, EU
61	30541102	UPPER DASHBOARD ONLY, BRIGHT RED	78	30516087	FRONT DASHBOARD ASS'Y., OCEAN BLUE	96	46700006	BACK MIRROR, LH
61	30516191	UPPER DASHBOARD ONLY, OCEAN BLUE	79	63700036	KEY SWITCH W/CONNECTING WIRE, S830	97	46700008	BACK MIRROR, RH
62	43601220	LCD COVER BOARD	80	33700217	KEY RING, ASS'Y	98	63370459	POWER HARNESS,S830 VA
63	75171260	STICKER, LCD/SW, S846C	81	61200050	INDICATOR UNIT, LEFT (24V/ 5W)	99	43780088	BASKET, PLASTIC
64	61108253	LCD DASHBOARD, S840C	82	61200051	INDICATOR UNIT, RIGHT (24V/ 5W)	100	65100111	CHARGER
65	61020006	POTENTIOMETER, VR30K, COSMOS RV24	83	33710008	CHARGER SOCKET SET	101	63600014	CHARGER POWERCORD PLUG
66	63947901	CONNECTING WIRE, SPEED POT,S150	84	30541107	REAR DASHBOARD ONLY, BRIGHT RED			
67	61180055	SPEED KNOB,CF-U1-6-1S(6.4)W53	84	30516193	REAR DASHBOARD ONLY, OCEAN BLUE			